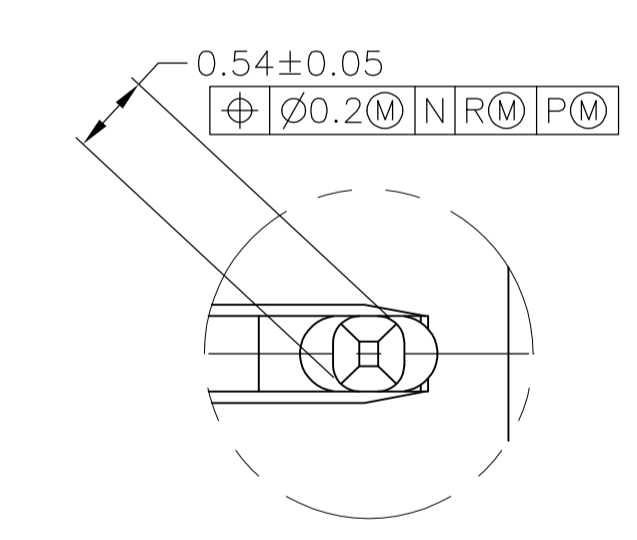


RECOMMENDED CIRCUIT PATTERN
PER IPC-D300 TYPE II, CLASS C
(COMPONENT SIDE)

- 1 HOUSING MATERIAL: LIQUID CRYSTAL POLYMER, NATURAL.
- 2 CONTACT MATERIAL: COPPER ALLOY.
- 3 CONTACT FINISH:
UNDERPLATE (ENTIRE CONTACT):
0.00127 MIN NICKEL PER SAE-AMS-QQ-N-290
ON MATING SURFACES:
FLASH GOLD PER ASTM B 488, OVER
0.00076 MIN PALLADIUM-NICKEL OVER UNDERPLATE, OR
0.00076 MIN GOLD PER ASTM B 488 OVER UNDERPLATE.
ON LEADS:
0.00127 MIN MATTE TIN PER ASTM B 545 OVER UNDERPLATE.
LUBRICATION (MIN MATING SURFACES):
SURFACE CONDITIONER AFTER PLATING.
- 4 PART NUMBER AND DATE CODE IN APPROXIMATE AREA AS SHOWN.



DETAIL Z
SCALE 20:1

THIS DRAWING IS A CONTROLLED DOCUMENT.		DIN	T. SHUEY	1-7-98	 TE Connectivity
DIMENSIONS: mm		CHK	W. MILLHIMES	1-16-98	
TOLERANCES UNLESS OTHERWISE SPECIFIED:		APVD	W. MILLHIMES	1-16-98	NAME
0. PLC	± -	PRODUCT SPEC		108-1441	ASSEMBLY, PIN, VERTICAL, 5 ROW, POWER MODULE, PRESS FIT LEAD, Z-PACK 2mm HM
1. PLC	± -	APPLICATION SPEC		114-1075	SIZE
2. PLC	± -	WEIGHT		A1	CAGE CODE
3. PLC	± -	CUSTOMER DRAWING		000779	DRAWING NO
4. PLC	± -	SCALE		4:1	RESTRICTED TO
ANGLES	± -	SHEET		1 OF 2	REV

AD	4	5.00	4.25
AC	3	8.00	4.25
AB	2	7.25	4.25
AA	1	6.50	4.25
CONTACT LETTER	ITEM NUMBER	DIM Y	DIM Z

E	AA	AA	E	5536642-1
D	AA	AA	D	
C	AA	AA	C	
B	AA	AA	B	
A	AA	AA	A	
ROW	1	2	ROW	PART NUMBER

CONTACT LOAD CHART

E	AA	AC	E	5536642-6
D	AA	AC	D	
C	AA	AC	C	
B	AA	AC	B	
A	AA	AC	A	
ROW	1	2	ROW	PART NUMBER

CONTACT LOAD CHART

E	AB	AB	E	1-5536642-6
D	AB	AB	D	
C	AB	AB	C	
B	AC	AC	B	
A	AC	AC	A	
ROW	1	2	ROW	PART NUMBER

CONTACT LOAD CHART

E	AA	AA	E	5536642-4
D	AA	AA	D	
C	AB	AB	C	
B	AC	AC	B	
A	AC	AC	A	
ROW	1	2	ROW	PART NUMBER

CONTACT LOAD CHART

E	AC	AC	E	5536642-7
D	AC	AC	D	
C	AC	AC	C	
B	AC	AC	B	
A	AC	AC	A	
ROW	1	2	ROW	PART NUMBER

CONTACT LOAD CHART

E	AB	AB	E	2-5536642-4
D	AA	AA	D	
C	AB	AB	C	
B	AA	AA	B	
A	AB	AB	A	
ROW	1	2	ROW	PART NUMBER

CONTACT LOAD CHART

E	AA	AA	E	5536642-5
D	AA	AA	D	
C	AA	AA	C	
B	AC	AC	B	
A	AA	AA	A	
ROW	1	2	ROW	PART NUMBER

CONTACT LOAD CHART

E	AC	AC	E	1-5536642-0
D	AB	AB	D	
C	AD	AD	C	
B			B	
A	AC		A	
ROW	1	2	ROW	PART NUMBER


CONTACT LOAD CHART

E	AC	AA	E	2-5536642-5
D	AC	AA	D	
C	AC	AA	C	
B	AC	AA	B	
A	AC	AA	A	
ROW	1	2	ROW	PART NUMBER

CONTACT LOAD CHART

E	AA	AA	E	2-5536642-6
D	AB	AB	D	
C	AC	AC	C	
B			B	
A	AB	AC	A	
ROW	1	2	ROW	PART NUMBER

CONTACT LOAD CHART

THIS DRAWING IS A CONTROLLED DOCUMENT.		DIN T. SHUEY 1-7-98	 TE Connectivity
DIMENSIONS: mm		CHK W. MILLHIMES 1-16-98	
TOLERANCES UNLESS OTHERWISE SPECIFIED:		APPV W. MILLHIMES 1-16-98	NAME
0. PLC ± -		PRODUCT SPEC	ASSEMBLY, PIN, VERTICAL,
1. PLC ± -		APPLICATION SPEC	5 ROW, POWER MODULE, PRESS FIT
2. PLC ± -		114-1075	LEAD, Z-PACK 2mm HM
3. PLC ± -		SIZE	A1
4. PLC ± -		SCALE	4:1
ANGLES ± -		DRAWING NO	00779
MATERIAL		WEIGHT	5536642
FINISH		CUSTOMER DRAWING	SCALE 4:1 SHEET 2 OF 2 REV A2